

# SEAMLESS ELBOWS B.W.

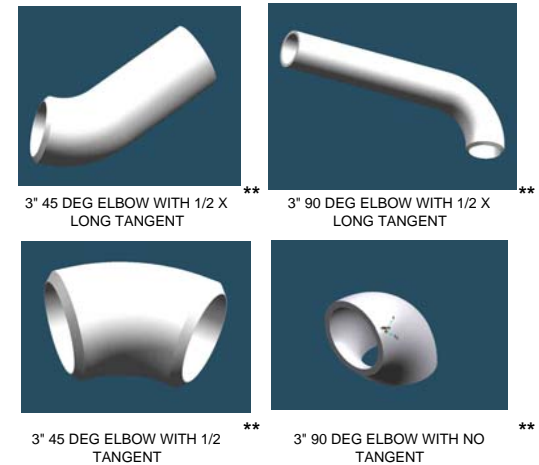
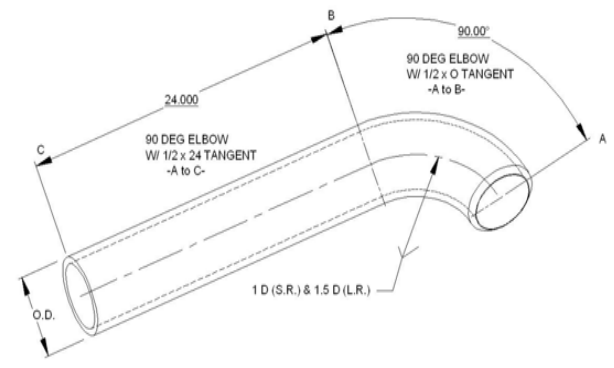


ND	Size(s) (IPS)	Inconel 625						CUNI 70/30					Stain Steel 304 & 316						Titanium					Monel 400						Steel (ANSI B16.9 & B16.28)																		
		Schedule					Tangent Length	Class #					Tangent Length	Schedule					Tangent Length	Schedule					Tangent Length	Schedule					Tangent Length																	
		10	20	40	80	120		200	700	1650	3300	6000		10	20	40	80	120		160	10	20	40	80		10	20	40	80	120		160	10	20	40	80	120	160										
20	1"	X					0" to 24"	X					0" to 24"	X					0" to 24"	X					0" to 24"	X					0" to 24"	X					0" to 24"	X					0" to 24"	X				
		X	X				0" to 24"		X				0" to 24"		X				0" to 24"	X	X				0" to 24"	X	X				0" to 24"		X				0" to 24"		X				0" to 24"		X			
				X			0" to 24"			X			0" to 24"			X			0" to 24"			X			0" to 24"			X			0" to 24"			X			0" to 24"			X			0" to 24"			X		
					X		0" to 24"				X		0" to 24"			X			0" to 24"			X			0" to 24"			X			0" to 24"				X		0" to 24"				X		0" to 24"				X	
						X	0" to 24"					X	0" to 24"				X	0" to 24"					X	0" to 24"				X	0" to 24"					X	0" to 24"					X	0" to 24"					X		

**NOTES:**  
 SEAMLESS ELBOWS 45 DEG AND 90 DEG  
 TANGENT LENGTHS AVAILABLE  
 \* One End - From 0" to 1-1/2"  
 \* Other End - from 0" to 24"  
 \* Longer tangents available on request

**CUNICO**  
 Main Office Telephone Number: 562-733-4600  
 Sales Telephone Number: 562-733-4634  
 Fax Number: 562-733-4640  
 Web Site: <http://www.cunicocorp.com>

810-1385880 - CLASS 200  
 MIL-F-24202 - CLASS 700  
 820-2177965  
 ANSI B16.9



APPLICATIONS						
SUBMARINES		AIRCRAFT CARRIERS		SURFACE SHIPS		



