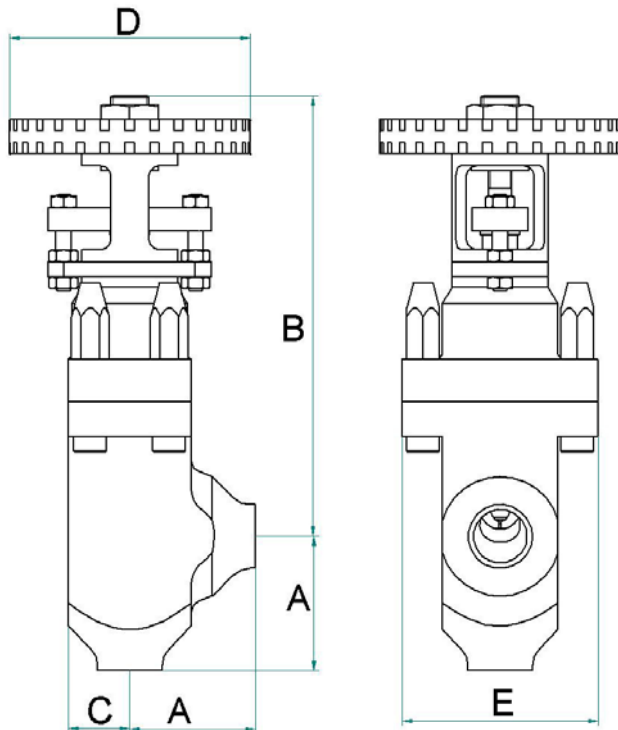


Series 40C Bolted Bonnet Cartridge Valve - Angle Pattern



Bellows Sealed Angle Pattern Globe Valve, standard bore, outside screw and yoke, non-rising handwheel, bolted bonnet. To BSEN15761 or nuclear class to ASME III available.

Valve can be supplied with actuation - electric or pneumatic plus controls. Extended spindles also available.

Butt weld end connections shown, also available as screwed, socket weld, flanged or special connection or manifold blocks.

Cartridge valve, seat and all seals are removed with the top assembly. This leaves only the body left in line. Maintenance time reduced significantly.

Increases safety, no danger of seals being lost down line or seat not being fitted.

Maximum pressure / temperature ratings are restricted by the valve end connections and the body / bonnet materials. Valve design suitable for temperatures up to 320 °C. Materials can be changed to customer specifications.

Dimensions						
Size DN	Dim A mm	Dim B mm	Dim C mm	Dim D mm	Dim E mm	Weight Kg
8	45	200	32	101	102	8
15	57	218	32	101	102	12
20	64	230	32	101	102	12
25	70	230	32	127	102	12
40	83	235	43	155	128	21
50	102	255	51	155	165	26
80	178	482	104	254	220	202
100	203	502	114	254	240	275
150	279	770	139	450	278	355

Component	Material
Body	St.St. BSEN 10222-5 x2 CrNi 18-9 (1.4307) / ASME SA182 F304L
Bonnet	St.St. BSEN 10222-5 x2 CrNi 18-9 (1.4307) / ASME SA182 F304L
Seat	St.St. BSEN 10088-3 1.4307 / ASME SA479 304L
Seat Seal	Perlast or Kalrez seal
Disk	St.St. BSEN 10088-3 1.4307 / ASME SA479 304L
Stem	St.St. BSEN 10088-3 1.4307
Bellows	St.St. Type 316L
Back up Gland	Graphite

